



AMBIENT SERIES

MORE HEAT | LESS LIGHT

 MADE IN BRITAIN

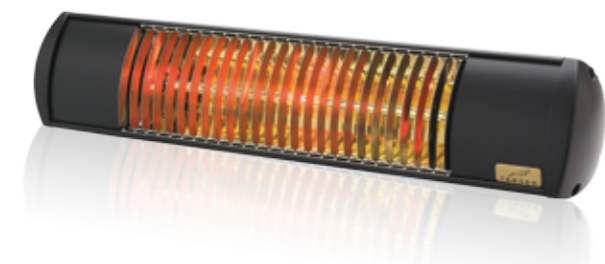
TANSUN AMBIENT SERIES



INTRODUCING THE TANSUN AMBIENT SERIES

Tansun heaters emit a pleasant ambient glow when turned on. This is perfectly fine and even desirable in many settings. However in some settings less light or 'glare' is wanted from the heaters but with no diminishment in heat output. To provide a suitable solution for this problem, Tansun have designed the new 'ultra low glare' Ambient Series.

As soon as this range of heaters is switched on the user will feel the heat output and performance which Tansun are synonymous for, however, the user will also see that there is a significant reduction in glare which the heater emits. This presents new opportunities of installation environments for the Tansun products.



TANSUN BAHAMA

The Bahama is available in single 1.5 kW and double 3.0kW. Its sleek design allows it to blend in effortlessly into many environments. This heater's design also allows it to be used under awnings and umbrellas. With its IP rating the Bahama is the perfect ambient heating solution for outdoor environments.



TANSUN MONACO

The Monaco is a powerful ultra low glare heater. Its design allows it to heat large areas, both indoors and out. Tansun Bahama is available in single 1.5 kW double 3.0 kw and triple 4.5 kW versions. This range of larger heaters give exceptional performance and makes the Monaco the outstanding choice for any environment where a good level of heat is required but with much less glare normally associated with powerful infrared heaters. This heater is IP rated, making it highly suitable for many outdoor environments.

BENEFITS OF WORKING WITH TANSUN

- British manufactured
- Free heating design service
- Bespoke RAL colour options
- 30 Years experience in the industry
- Experienced after sales customer support
- Dedicated Research & Development Department
- Close contacts with all quality lamp manufacturers
- 100% guaranteed collection date for goods
- Customised branding options for heaters
- 2 year warranty
- Bespoke design service for specialised heating projects
- Constant innovation and new product releases
- Award winning products





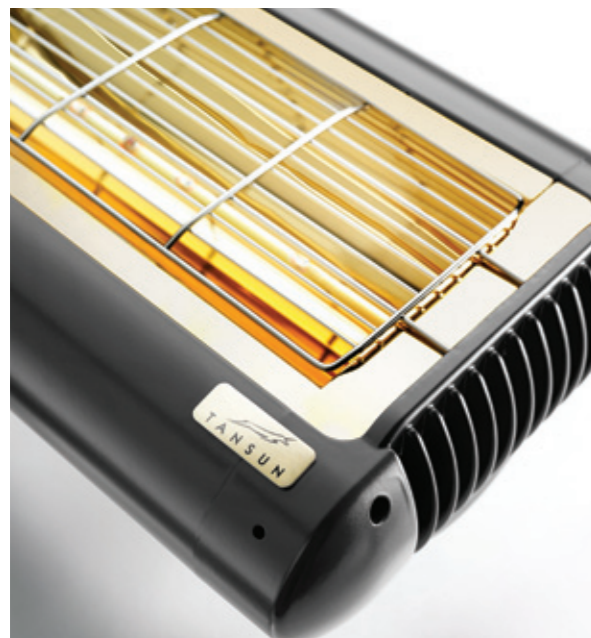
TANSUN RESEARCH AND DEVELOPMENT

The Tansun Ambient series is the culmination of over two years of research and development to create a world leading low glare infrared solution. Ultra-low glare technology delivers directed near-infrared heat without the intense red glow which is normally

associated with short-wave infrared heaters. The visible light of the heater is reduced to an ambient gentle glow which is then further softened by Tansun's unique glare-reducing gold reflectors.

DUAL LOW GLARE

Tansun offer the only solution on the market with the combination of the gold reflector and premium lamp. This 'dual' combination of the means the Monaco and Bahama give out the lowest light output (or glare), available from any shortwave infrared heater on the market.



TANSUN GOLD REFLECTOR

In addition to the highly polished smooth parabolic finish, the gold reflector absorbs the light from the heater, and as gold is the most reflective substance in the Infrared spectrum, it has the added benefit of further increasing the heat output.

KEY FEATURES OF THE TANSUN AMBIENT RANGE

Unique dual low glare technology

More heat, less light

Compact and lightweight infrared heating system

Tansun gold reflector technology

Up to 25% energy saving compared to 2000W lamp

Energy efficient

2 year Tansun warranty

Easy to install

Range of brackets and fittings available

Can be used with Tansun energy saving controllers

Available is a selection of RAL colours if required

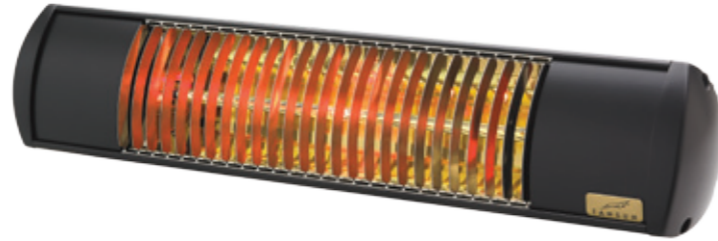


TANSUN BAHAMA

Single 1.5 kW



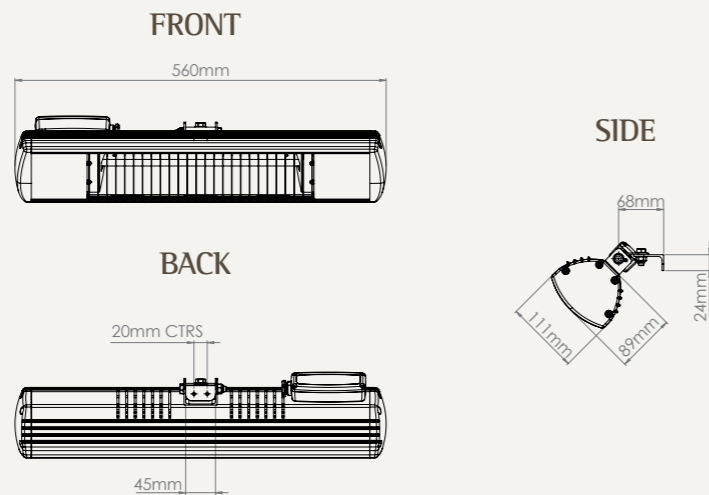
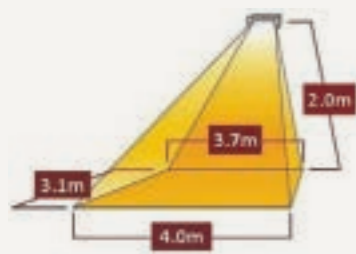
This stylish top of the range ultra low glare heater is designed to fit discreetly into many environments. It comes as standard with a central swivel bracket, allowing versatile direction of the heat. It is also compatible with Tansun's range of brackets which allow it be fitted onto awnings and parasols. The Bahama is compatible with Tansun's range of energy saving controllers.



MAIN APPLICATIONS

VIP Areas, Restaurants, Hotels, Casinos, Awnings

HEAT COVERAGE



TECHNICAL DATA

Model Type	BAH 215	Weight (kg)	2.8
Voltage (Volts)	230	Ingress Protected	Yes
Power (Watts)	1500	Mounting	Horizontal on wall or angled on a suitable structure
Current (Amps)	6.5	Connection	3.0m of cord with a moulded UK or a EU Schuko plug
Min. mounting height from floor (m)	2.0	Package Contents	Heater with L-Shaped wall mounting bracket and an instruction manual
Min. distance from ceiling (m)	0.3		
Min. distance from side wall (m)	1.0		
Dimensions WxHxD (mm)	560 x 110 x 89		

Technical data relates to 1.5kW version.

TANSUN BAHAMA

Double 3.0 kW



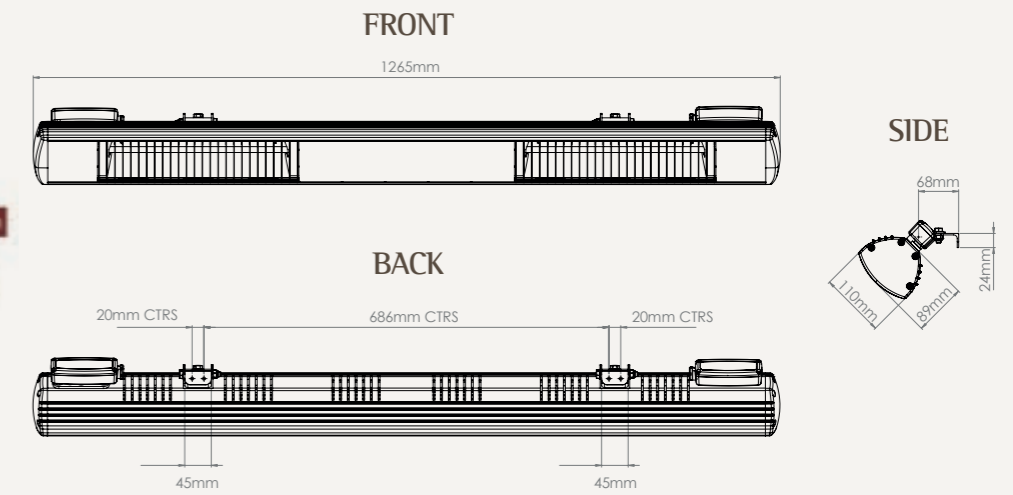
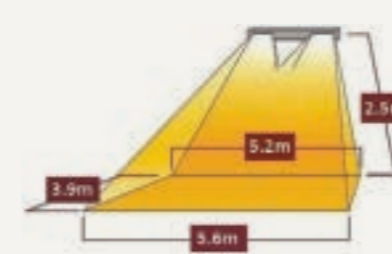
This sleek heater gives increased coverage compared to the Bahama single, however it still retains its ability to fit effortlessly into many different environments. It comes with mounting bracket, and is compatible with Tansun's range of controllers which allow dimming, further enhancing energy efficiencies.



MAIN APPLICATIONS

VIP Areas, Large Courtyards, Night Clubs, Restaurants

HEAT COVERAGE



TECHNICAL DATA

Model Type	BAH 215	Weight (kg)	6.0
Voltage (Volts)	230	Ingress Protected	Yes
Power (Watts)	2 x 1500 (Total 3000)	Mounting	Horizontal on wall
Current (Amps)	6.5	Connection	3.0m of cord with a moulded UK or a EU Schuko plug
Min. mounting height from floor (m)	2.5	Package Contents	Heater with L-Shaped wall mounting bracket and an instruction manual
Min. distance from ceiling (m)	0.5		
Min. distance from side wall (m)	1.0		
Dimensions WxHxD (mm)	1265 x 110 x 89		

Technical data relates to 3.0kW version.

TANSUN MONACO

Single 1.5 kW



The Monaco single is ideal for outdoor bar and restaurant areas and terraces. This premium ultra low glare heater is supplied as standard with central swivel bracket allowing versatile movement. It is supplied as standard with unique Tansun glare reducing gold reflector and top of the range low glare lamp.

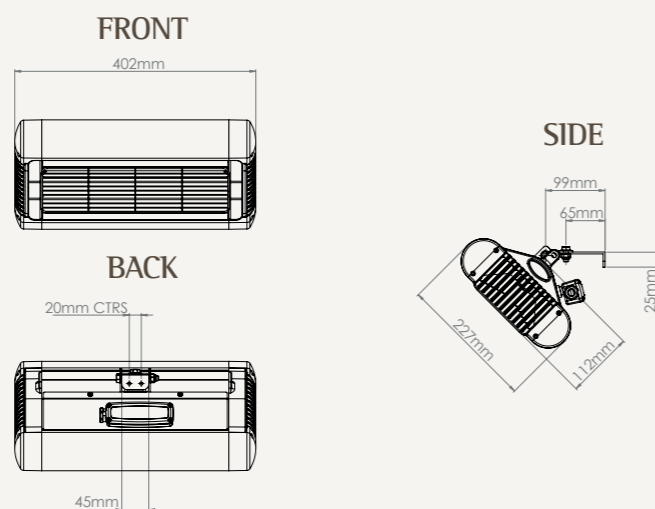
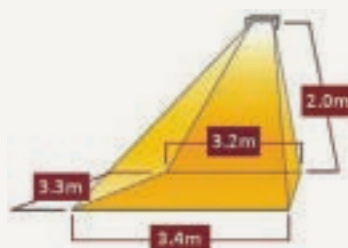
The Monaco has the advantage of being able to mount overhead if required and is compatible with Tansun energy saving controllers.



MAIN APPLICATIONS

VIP Areas, Restaurants, Hotels, Casinos, Awnings

HEAT COVERAGE



TECHNICAL DATA

Model Type	MON 215	Weight (kg)	3.4
Voltage (Volts)	230	Ingress Protected	Yes
Power (Watts)	1500	Mounting	Wall or ceiling hung
Current (Amps)	6.5	Connection	3.0m of cord with a moulded UK or a EU Schuko plug
Min. mounting height from floor (m)	2.0	Package Contents	Heater with L-Shaped wall mounting bracket and an instruction manual
Min. distance from ceiling (m)	0.5		
Min. distance from side wall (m)	1.0		
Dimensions WxHxD (mm)	402 x 227 x 323		

Technical data relates to 1.5kW version.



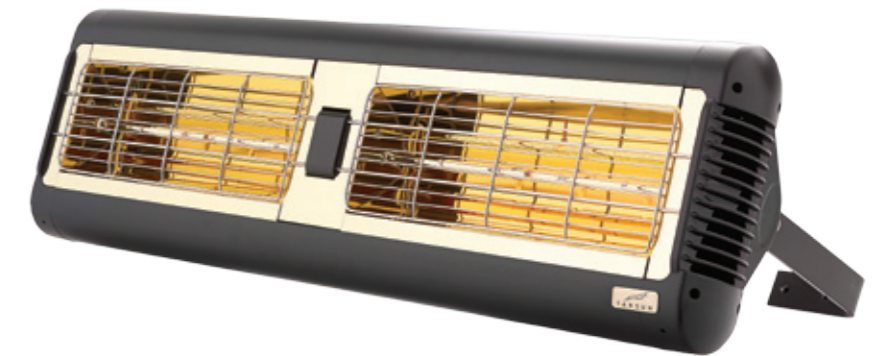


TANSUN MONACO

Double 3.0 kW



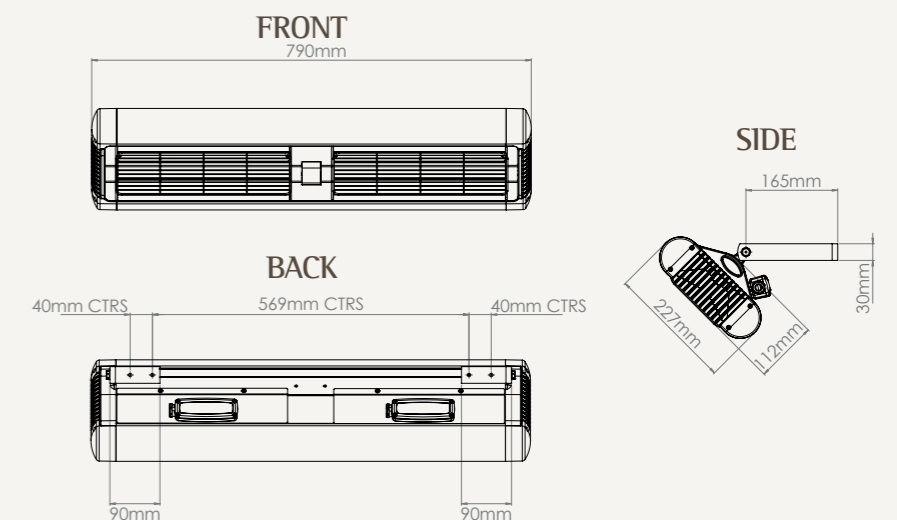
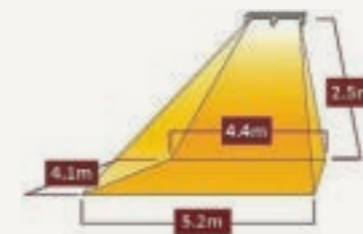
This heater gives increased power and coverage compared to the Monaco 1.5 kW single. It is supplied with mounting brackets and can be used with Tansun's energy saving controllers for increased efficiency.



MAIN APPLICATIONS

VIP Areas, Courtyards, Night Clubs, Restaurants

HEAT COVERAGE



TECHNICAL DATA

Model Type	MON 215IPD55D	Dimensions WxHxD (mm)	790 x 227 x 323
Voltage (Volts)	230	Weight (kg)	5.6
No. of Lamps x Power (Watts)	2 x 1500 (Total 3000)	Ingress Protected	Yes
Current per Lamp (Amps)	6.5	Mounting	Wall or Ceiling hung
Total Current of Unit (Amps)	13.0	Connection	2 x 3.0m length of cord with a moulded UK or a EU Schuko plug
Min. mounting height from floor (m)	3.0	Package Contents	Heater with 2 x L-Shaped wall mounting bracket and an instruction manual
Min. distance from ceiling (m)	0.5		
Min. distance from side wall (m)	1.0		

TANSUN MONACO

Triple 4.5 kW



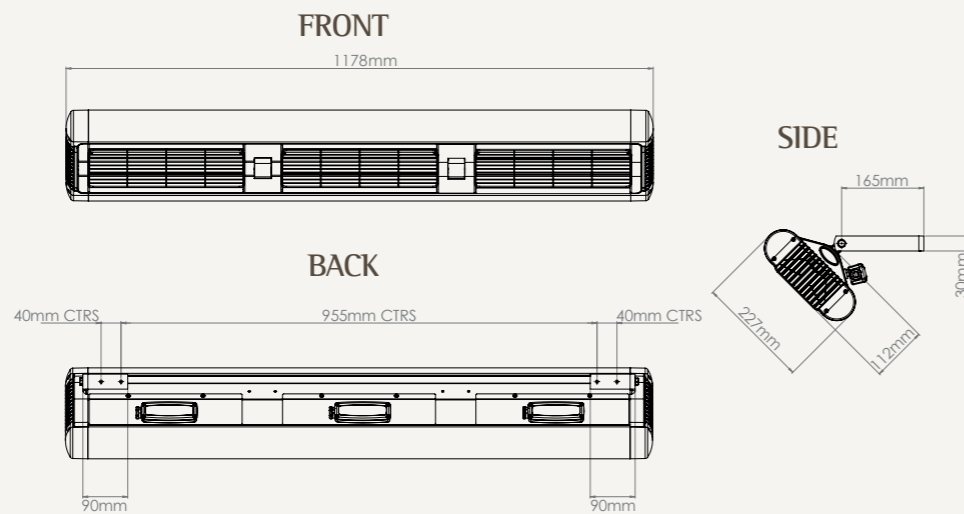
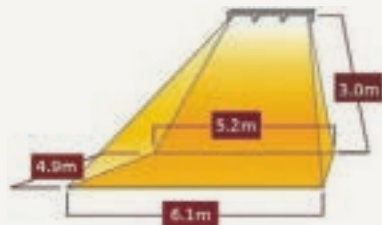
This is the largest ultra low glare heater which is available. It is perfect for heating large areas as it provides an impressive heat coverage. It is supplied with mounting brackets and can be used with Tansun's energy saving controllers for enhanced efficiency.



MAIN APPLICATIONS

VIP Areas, Large Courtyards, Night Clubs, Restaurants, Casinos

HEAT COVERAGE



TECHNICAL DATA

Model Type	MON 215IP55T	Dimensions WxHxD (mm)	1202 x 227 x 323
Voltage (Volts)	230	Weight (kg)	8.0
No. of Lamps x Power (Watts)	3 x 1500 (Total 4500)	Ingress Protected	Yes
Current per Lamp (Amps)	6.5	Mounting	Wall or Ceiling hung
Total Current of Unit (Amps)	19.6	Connection	3 x 3.0m length of cord with a moulded UK or a EU Schuko plug
Min. mounting height from floor (m)	3.5	Package Contents	Heater with 2 x L-Shaped wall mounting bracket and an instruction manual
Min. distance from ceiling (m)	0.5		
Min. distance from side wall (m)	1.0		

Technical data relates to 4.5kW version.



ENERGY SAVINGS

Tansun offer a selection of switches and heater controls that are designed to suit almost any situation and need. Where energy and cost savings matter, we don't believe in heating an empty space or having more heat than is required. When combined with a presence detector (PIR) and/or remote control, our Ambient range can easily be adjusted in heat output and energy consumption, ensuring maximum user comfort and energy savings.



ENERGY SAVING CONTROLLERS

The Tansun Ambient Series is fully compatible with our range of energy saving controllers.

- Tansun Time Lag Switches (up to 8 hours)
- Tansun 1.5-4kW dimmer. Controllers / receivers
- PIR sensor compatibility

TOUCH TIMER



Tansun offer a touch timer which can be set to automatically turn off after the length of time required.

REMOTE



RECEIVER



These controllers allow the heaters to be turned on / off and dimmed up or down from 100% -75% - 50% of heat capacity.

RAL COLOUR OPTIONS

The Tansun Ambient series is available in any RAL colour. This means in addition to the low glare from the light emitted, the heater can have a suitable colour to help it blend discreetly into many environments.



